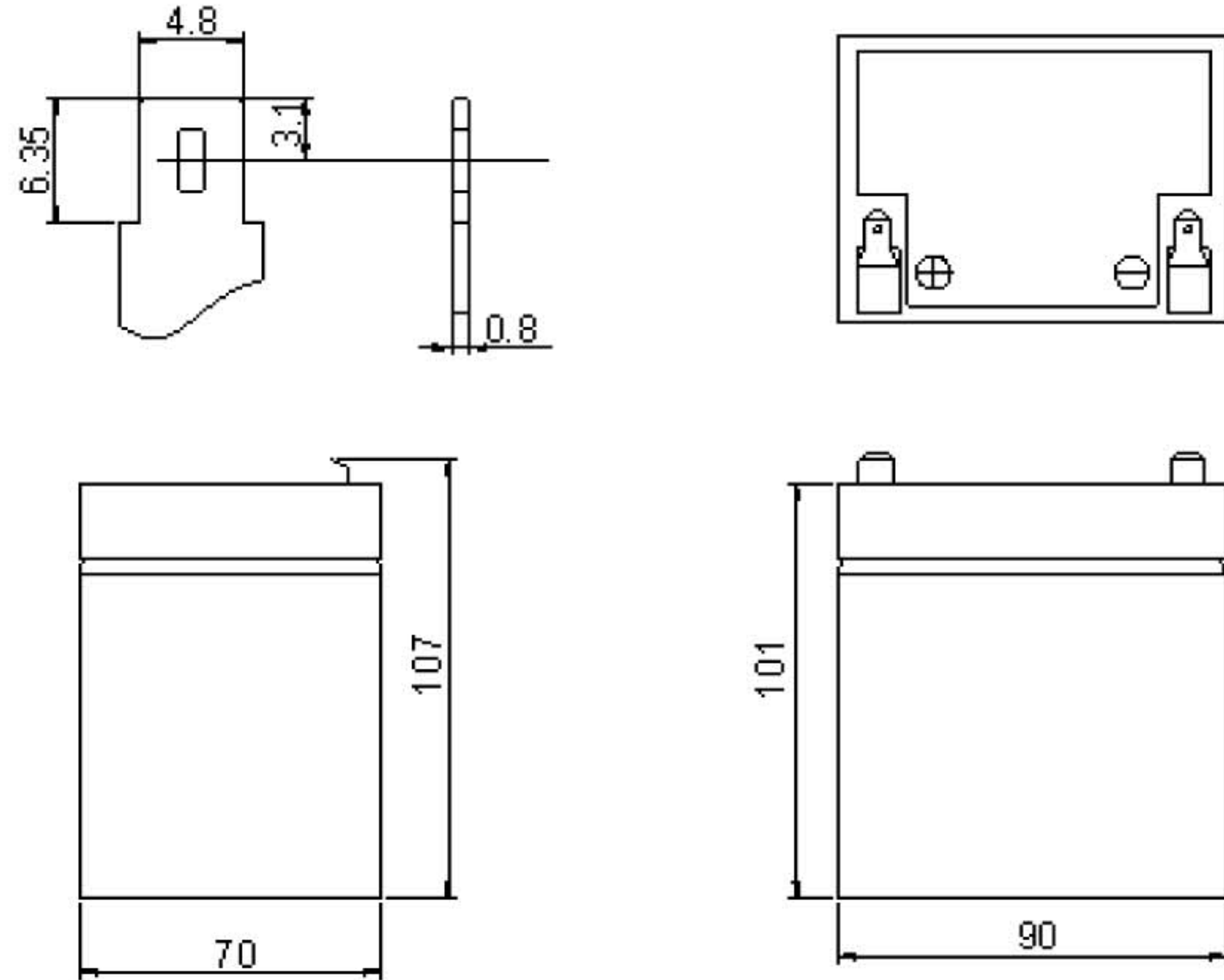


VS Series SLA Battery



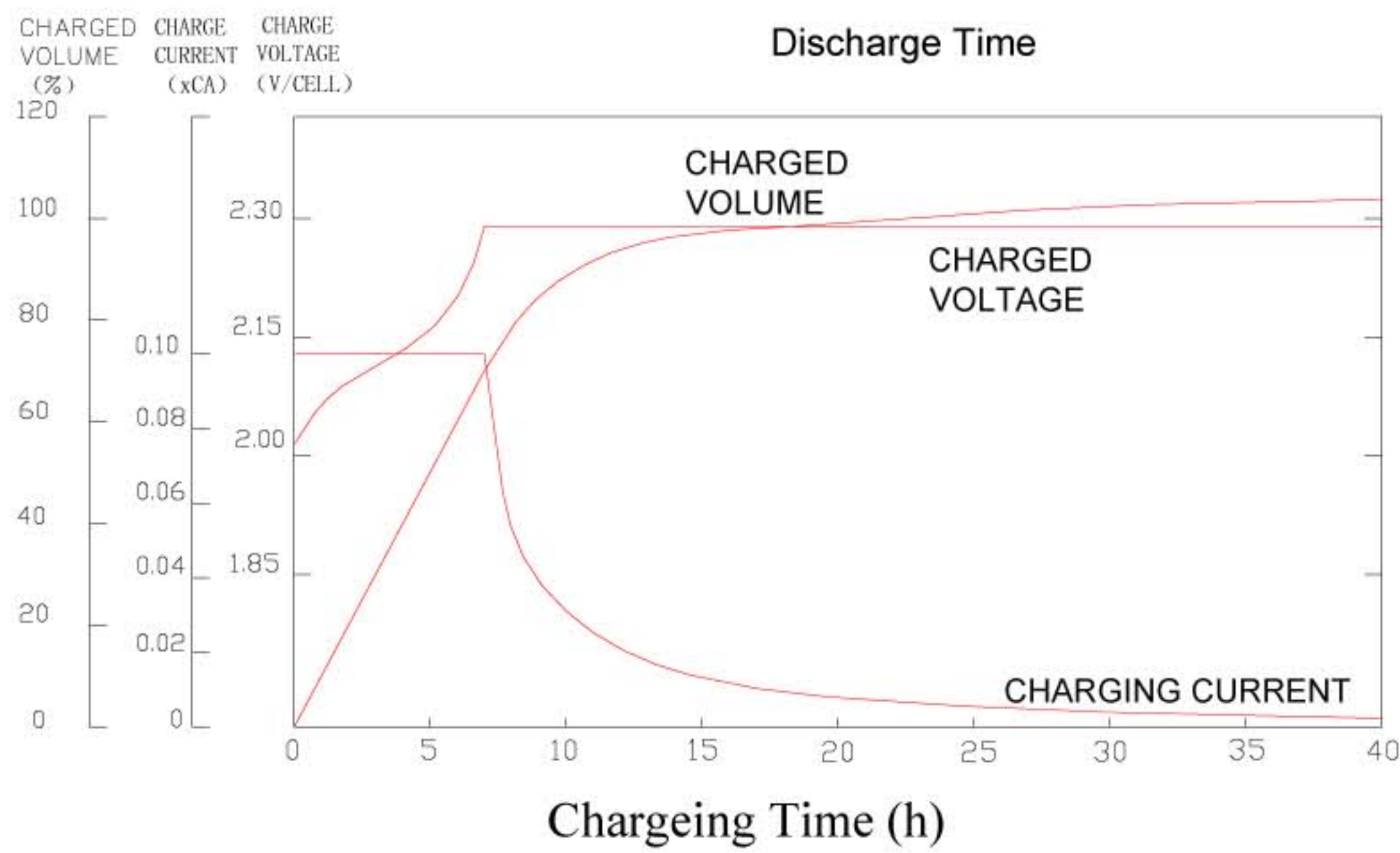
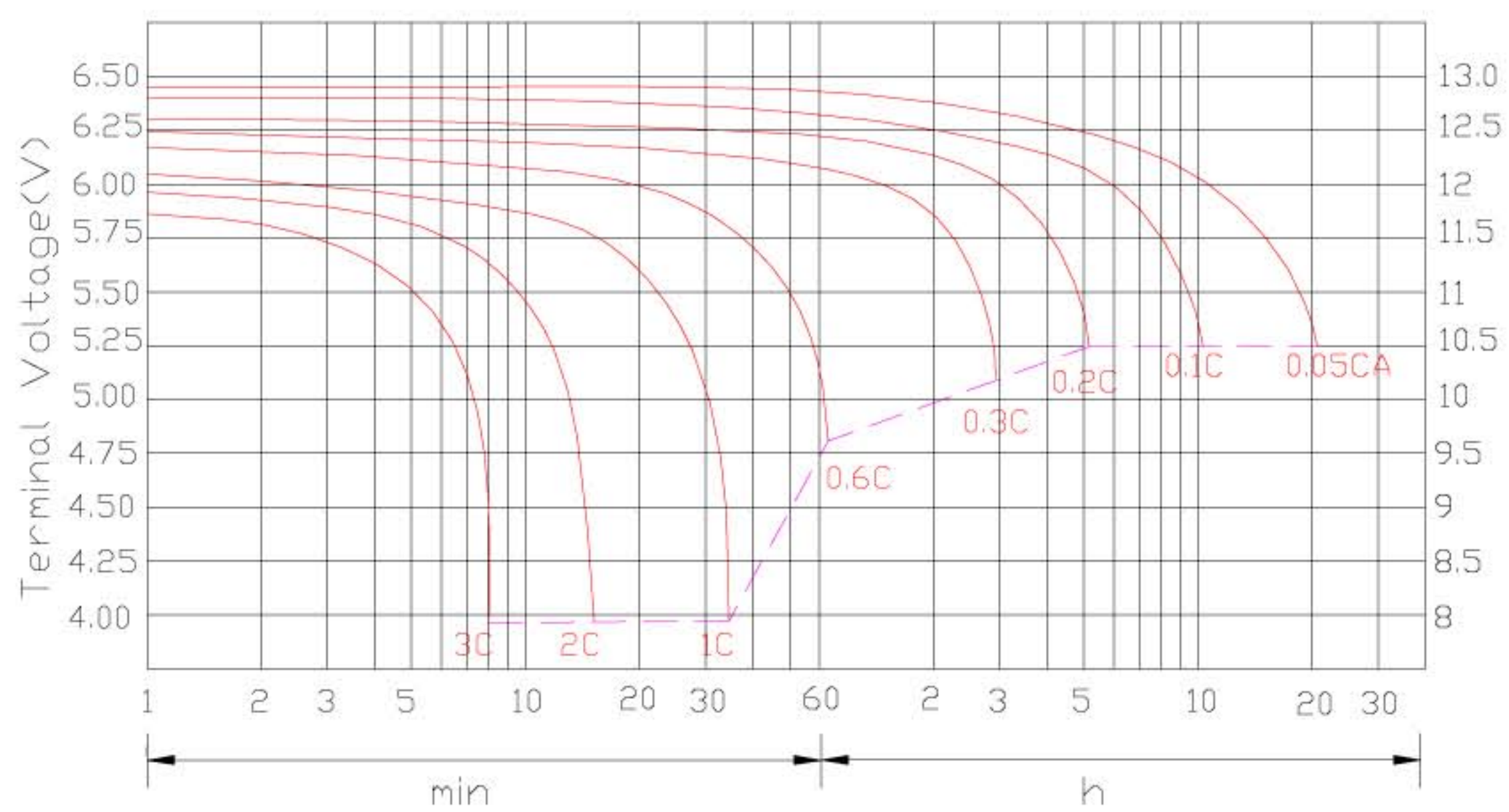
Specifications

Nominal Voltage		12V
Rated Capacity		5Ah
Dimensions	Total Height	4.21 inches (107mm)
	Height	3.98 inches (101mm)
	Length	3.54 inches (90mm)
	Width	2.76 inches (70mm)
Approximate Weight		3.53 lbs. (1.6kg)

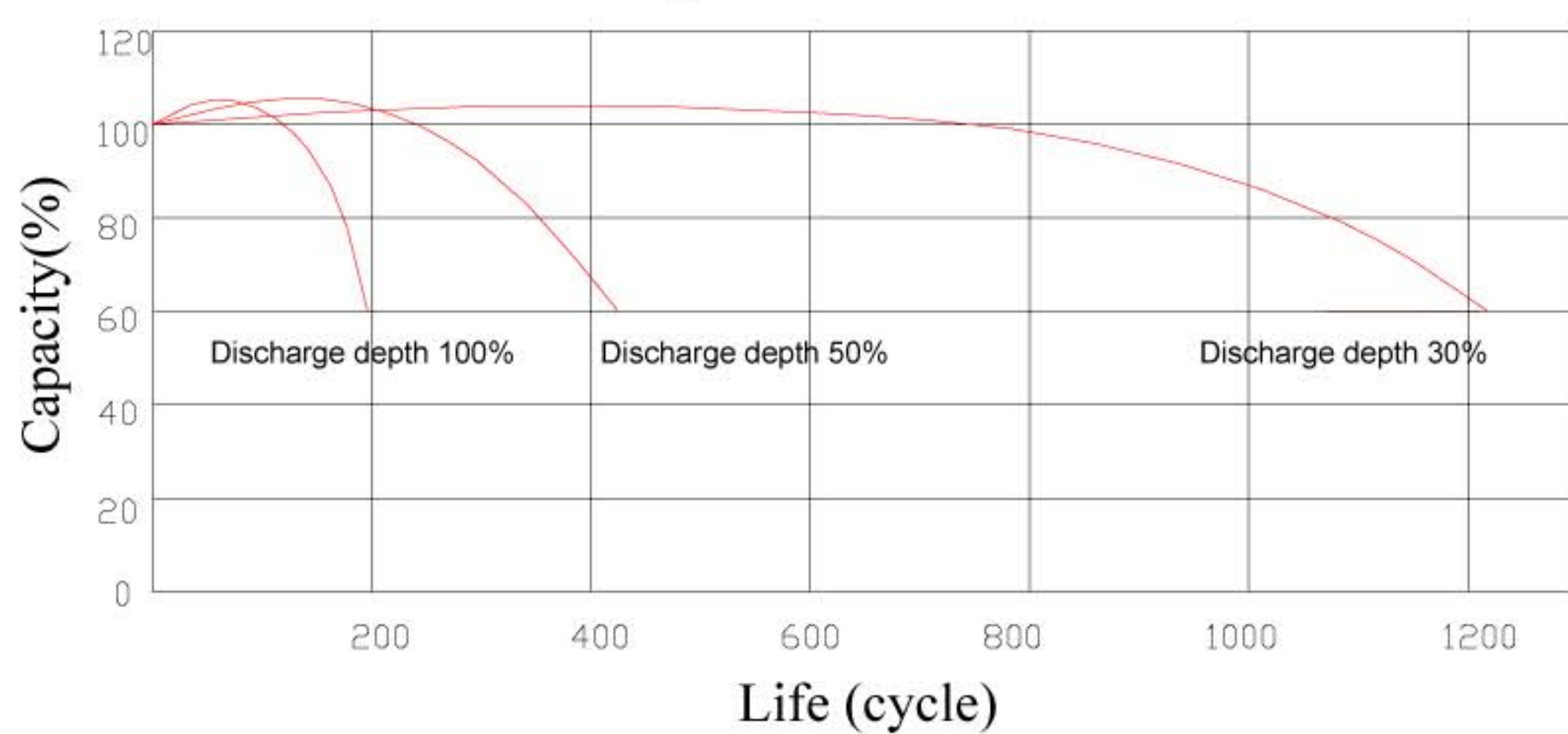
Characteristic

Capacity 77°F(25°C)	20h rate	5.0Ah
	10h rate	4.60Ah
	5h rate	4.25Ah
	1h rate	3.00Ah
	15 min rate	2.25Ah
Internal Resistance	Full Charged Battery 77°F(25°C)	Approx. 35m Ω
Capacity Affected by Temperature (20h rate)	104°F(40°C)	102%
	77°F(25°C)	100%
	32°F(0°C)	85%
	5°F(-15°C)	65%
Self-Discharge 68°F(20°C) (Capacity after)	3 month storage	90%
	6 month storage	80%
	12 month storage	60%
Max. Discharge Current 77°F(25°C)	75A(5s)	
Terminal	T1	
Charge (Constant Voltage, 25°C)	Cycle	14.5~14.9V(-24mV/°C) max. current: 1.5 A
	Float	13.6~13.8V(-18mV/°C)

DISCHARGE CHARACTERISTICS AT 25° C(77° F)



Cycle service life



Constant Current Discharge Characteristics (A, 25°C)

F.V/TIME	5min	10min	15min	30min	60min	3h	5h	10h	20h
9.60V	18.5	11.8	9.50	5.75	3.20	1.27	0.87	0.47	0.25
10.2V	17.6	11.2	9.12	5.52	3.07	1.25	0.86	0.46	0.25
10.5V	16.5	10.5	8.66	5.24	3.04	1.22	0.84	0.44	0.24

Constant Wattage Discharge Characteristics (Watt, 25°C)

F.V/TIME	5min	10min	15min	30min	60min	3h	5h	10h	20h
9.60V	206	133	108	65.9	37.1	15.1	10.4	5.64	3.00
10.2V	196	126	104	63.3	35.6	14.9	10.3	5.52	3.00
10.5V	184	118	98.7	60.1	33.8	14.5	10.0	5.28	2.88